

HSM SLIP RING MOTOR SPECIFICATION AND DRAWING •55KW AND UP•4 & 6P

TYPE YR2	kW	HP	SPEED r/min	CURRENT UNDER 230/400V A	• %	POWER FACTOR COS•	MAX TORQUE RATED TORQUE	ROTOR		NOISE •LW• dB(A)	J kg.m ²	WEIGHT kg
								V	A			
280S-4	55	75	1480	171/98.6	92.5	0.88	3	470	70	100	1.86	655
280M-4	75	100	1485	230/133	92.5	0.88	3	354	128	103	2.41	765
315S-4	90	125	1483	267/159	93	0.88	3	311	176	103	3.97	1175
315M-4	110	150	1486	335/194	93.5	0.88	3	343	194	103	4.59	1300
315L1-4	132	175	1487	396/228	94	0.89	3	401	198	106	5.33	1260
315L2-4	160	220	1486	485/280	94	0.88	3	482	199	106	6.11	1450
355M1-4	200	270	1485	587/339	94	0.91	3	524	231	106	10.03	1955
355M2-4	250	350	1485	730/421	94.5	0.91	3	612	247	108	11.33	2080
355L-4	280	375	1490	817/472	94.5	0.91	3	734	230	108	12.47	2195
280M-6	55	75	985	176/101	92	0.86	2.8	455	75	94	2.74	695
315S-6	75	100	990	238/137	93	0.85	2.8	470	98	98	5.48	745
315M-6	90	125	990	285/165	93.2	0.85	2.8	489	113	98	6.25	1335
315L1-6	110	150	990	347/201	93.5	0.86	2.8	485	140	98	7.3	1421
315L2-6	132	175	990	415/239	94	0.85	2.8	477	170	98	8.45	1430
355M1-6	160	220	990	491/284	94	0.87	2.8	460	213	102	12.28	1950
355M2-6	200	270	990	614/354	94	0.87	2.8	597	202	102	14.86	2165
355L-6	220	295	990	668/386	94.5	0.87	2.8	664	205	102	16.71	2275

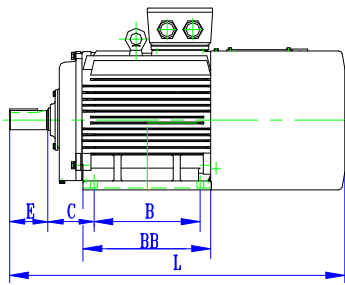
TERMINAL BOX

FRAME	CABLE ENTRY		SECOND CABLE ENTRY FOR STATOR
H250~280	2-M63X1.5		1-M16X1.5
	STATOR TERMINAL BOX	ROTOR TERMINAL BOX	
H315	2-M63X1.5-6H	2-M50X1.5-6H	
H355			

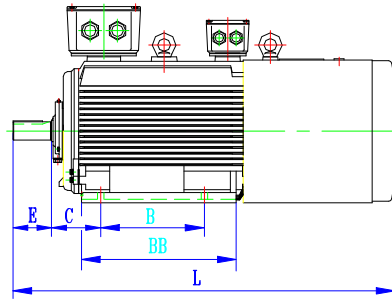
BEARING

FRAME	BEARING TYPE	
	DE	NDE
YR2-280	NU317	6317
YR2-315	NU319	6319
YR2-355	NU322	6322

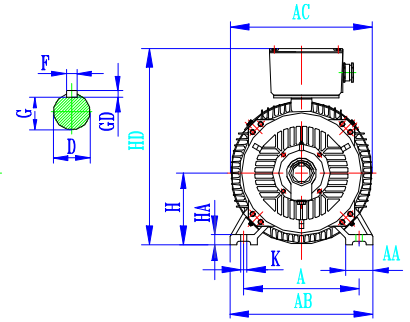
MOUNTING DIMENSIONS



132~280



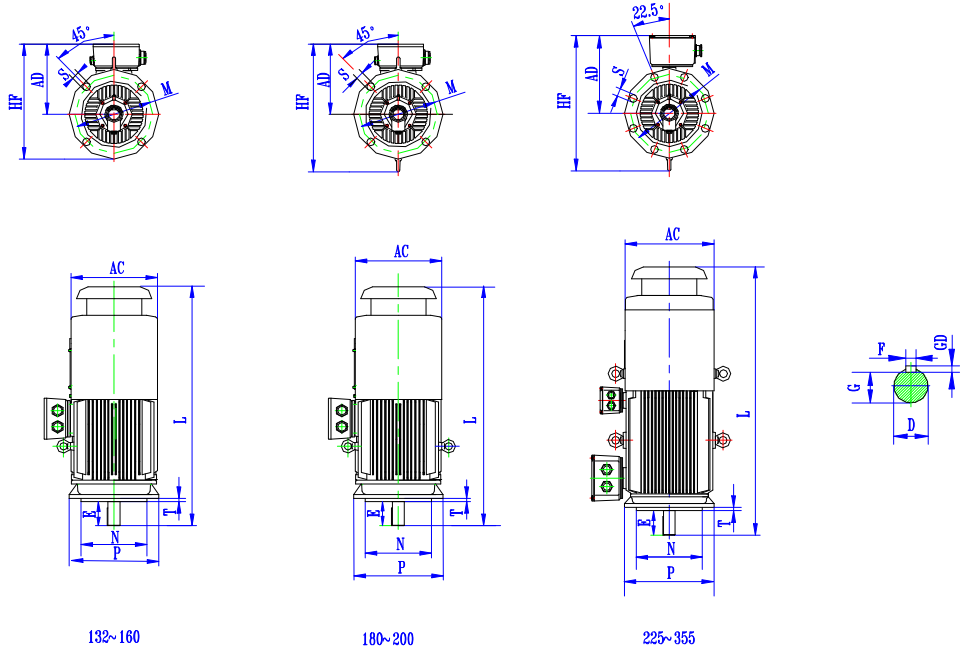
315~355



IMB3 HORIZONTAL

mm

FRAME	A	B	C	D	E	FXGD	G	H	K	AB	AC	AA	BB	HD	HA	L
280S	457	368	190	75	140	20X1 2	67. 5	280	24	550	560	85	490	700	35	1260
280M		419											540			1310
315S	508	406	216	80	170	22X1 4	71	315	28	635	635	125	540	870	45	1700
315M		457											680			
315L		508														
355M	610	560	254	100	210	28X1 6	90	355	730	710	125	750	1010	52	1910	
355L		630														



IMV1 • VERTICAL •

mm

Frame	D	E	FXGD	G	M	N	P	S	T	AC	HF	L				
225M	60	140	18X11	53	400	350	450	8X•19		470	610	1150				
250M	65			58						510	650	1255				
280S	75		20X12	67.5	550	450	550			580	720	1375				
280M												1425				
315S	80	170	22X14	71	600	550	660	8X•24	6	645	900	1815				
315M																
315L																
355M	110	210	28X16	100	740	680	800			710	1010	2050				
355L																